

# DHW PRODUCTION SYSTEMS WITH GAS SOLAR HYDROGAZ®

STAINLESS STEEL AISI 316L RANGE - FROM 750 TO 6 000L



**CE compliance**  
• 2014/68/UE  
• 2014/35/UE  
• CERTIGAZ



**U-tube heater**



**Gas equipment**



**316L** Stainless steel AISI 316L tank



**Solar DHW tank**

## DESCRIPTION

### Tank

- Vertical stainless steel AISI 316L tank with 3 feet.
- Capacity from 750 à 3000 litres.
- Maximum working pressure = 7 bar - Test pressure = 10 bar.
- Tappings (in accordance with the following diagram).
- Specific tapping for the solar regulation sensor.
- Ø 400 mm inspection manholes(1) (ø 500 mm for 120 & 140 kW).

### Removable thermal insulation (including the inspection manhole and the bottom of the tank)

#### Fire proof rating : M0 (Euroclass A2)

- Rockwool - 100 mm thick ( $\lambda = 0,034W/m/K - 40 \text{ kg/m}^3$ ).
- Isoxal metal sheet jacket.

### GAS EQUIPMENT mounted on diam. 400 mm manhole (diam. 500 mm for models 120 & 140 kW)

- Power burner (single-phase integrated control/230 V)
- Removable gas fumes/liquid exchanger made of stainless steel.

### Solar U-tube heater

- Removable U-tube heater with bundle made of 316 L stainless steel, mounted on the inspection manhole.
- Inlet/outlet DN32F or DN50F + DN8F purge.
- Class B heater, in accordance with article 16.9 of the French General Directorate for Health.

### Specific tapping for the solar regulation sensor

#### Options

- Solar module with maximum WP of 6 bar (circulator, safety valve, manometer, thermometers, non-return valve, flow rate meter, degasser, valves, thermal insulation).
- Electric backup (immersion heater on the top section + double safety thermostat).
- Accessories kit (thermometer, DN50 drainage valve, Water shortage pressure detector).
- Upon request : non-standard capacity, dimensions, working pressure and tappings implantation.
- Homogenisation kit (circulator + non-return valve + 2 valves + tee fitting).

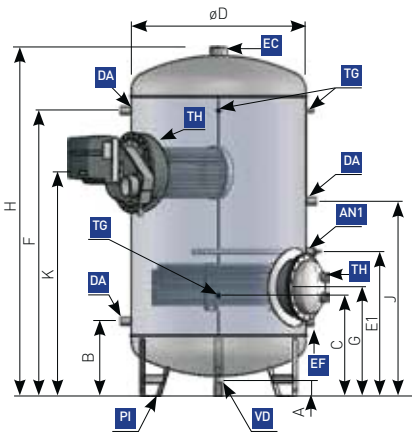
### Warranty (in accordance with our general conditions of sale)

- Tank = 7 years - Heater = 5 years. - Gas exchanger = 3 years.
- Other items = 1 year.

\*except 120 and 140 kW models.

<sup>(1)</sup>Note : In accordance with the recommendations of the French General Directorate for Health.

## DIMENSIONS

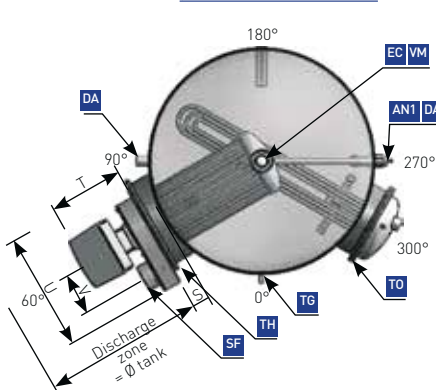


### With manhole ø 400 mm et ø 500 mm

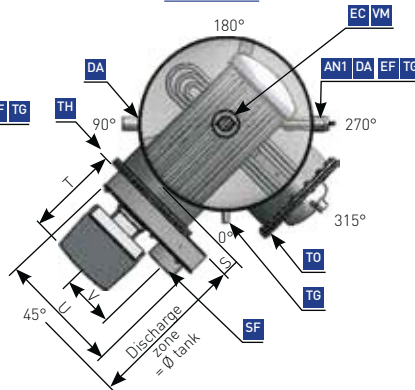
Capacity (litres)	A (mm)	B (mm)	ØD (mm)	E (mm)	F (mm)	G (mm)	H (mm)	J (mm)	K (mm)	J (mm)	K (mm)	Weight (kg)
750	90	440	800	590	690	1 060	1 820	1 325	1 450	1 475	2 030	175
1 000H <sup>(1)</sup>	90	440	800	590	690	1 330	2 330	1 875	1 940	1 965	2 900	210
1 000B <sup>(1)</sup>	90	475	950	625	725	1 095	1 900	1 360	1 485	1 510	2 030	235
1 500H <sup>(1)</sup>	90	475	950	625	725	1 425	2 450	1 910	2 035	2 060	3 020	280
1 500B <sup>(1)</sup>	90	510	1 100	685	760	1 130	1 960	1 395	1 520	1 545	2 030	290
2 000H <sup>(1)</sup>	90	510	1 100	685	760	1 460	2 510	1 945	2 070	2 095	3 020	345
2 000B <sup>(1)</sup>	90	560	1 300	745	810	1 180	2 050	1 425	1 570	1 595	2 030	400
2 500	90	560	1 300	745	810	1 330	2 300	1 675	1 820	1 845	2 360	430
3 000	90	560	1 300	745	810	1 510	2 600	1 975	2 120	2 145	2 960	470

<sup>(1)</sup>Note : H = High version ; B = Low version.

### Ø 1100 and 1300 mm



### Ø 800 mm



- AN1 Threaded tapping
- DA Outlet/loop return (DN50 G ext. thread)
- EC Hot water outlet (DN50 G ext. thread)
- EF Cold water inlet (DN50 G ext. thread)
- PI Support feet
- SF Gas fumes outlet
- TG Threaded tappings for thermometer and thermostat (DN15 G int. thread)
- TH Ø 400 mm manhole (or 500 mm depending on the power of the gas equipment)
- VD Drainage (DN50 G ext. thread)

## TECHNICAL SPECIFICATIONS

## GAS EQUIPMENT

Type of gas fitting (reference)	Calorific flow rate (kW)	Useful power (kW)	GAS FLOW RATE			Ø Gas supply (DN)	Ø Gas fumes outlet (mm) SF	Ø Condensates outlet (DN)	Weight (kg)	Diameter of the manhole (mm)	Burner dimensions			
			G20 natural gas (Lacq) 20 mbar (m³/h)	G20 natural gas (Groningen) 25 mbar (m³/h)	G31 propane gas 37 mbar (kg/hr)						S	T	U	V
TRG 32 N/P	34	32	3.60	4.18	2.64	15	153	10	82	400	215	305	660	300
TRG 51 N/P	54	51	5.71	6.64	4.20	20	153	10	91	400	215	305	660	300
TRG 60 N/P	63	60	6.67	7.75	4.90	20	153	10	96	400	215	305	660	300
TRG 90 N/P	95	90	10.05	11.69	7.38	20	153	10	110	400	215	305	660	400
TRG 120 N/P	135	120	14.07	16.36	10.33	20	200	10	195	500	240	480	860	400
TRG 140 N/P	155	140	15.87	18.45	11.66	20	200	10	195	500	240	480	860	400

Electrical supply = single phase 230 V - Consumption: 200 W from 32 to 90 kW, 500 W for 120 & 140 kW

## Solar heater

Primary system (glycol water 30%) 80/65°C - Secondary system 10/60°C

Capacity (litres)	Back-up heater		Flow rate (m³/h)	Head loss (mWC)	Surface area (m²)
	Power (kW)	Tapping I/O			
750	30	DN32	2	0,15	1,8
1000H <sup>(1)</sup>	30	DN32	2	0,15	1,8
1000B <sup>(1)</sup>	30	DN32	2	0,15	1,8
1500H <sup>(1)</sup>	40	DN65	2,7	0,3	3,3
1500B <sup>(1)</sup>	40	DN32	2,7	0,15	2,45
2000H <sup>(1)</sup>	60	DN32	4	0,7	3
2000B <sup>(1)</sup>	60	DN65	4	0,15	5,1
2500	80	DN65	5,2	0,3	5,1
3000	80	DN65	5,2	0,3	5,1

<sup>(1)</sup>Note : H = High version ; B = Low version.

## AVAILABLE MODELS

## Solar heater

Primary system (glycol water 30%) 80/65°C - Secondary system 10/60°C

Capacity (litres)	Heater / gas power				
	Reference 30 / 32 kW	Reference 40 / 51 kW	Reference 40 / 60 kW	Reference 60 / 60 kW	Reference 70 / 90 kW
1000H <sup>(1)</sup>	INH100H3032i				
1500B <sup>(1)</sup>		INH150B4051i	INH150B4060i		
2000B <sup>(1)</sup>				INH200B6060i	INH200B7090i

Capacity (litres)	Heater / gas power		
	Reference 80 / 90 kW	Reference 80 / 120 kW	Reference 80 / 140 kW
2500	INH250S8090i	INH250S80120i	
3000		INH300S80120i	INH300S80140i

<sup>(1)</sup>Note : H = High version ; B = Low version. \*NS = On request.