

DHW PRODUCTION TANKS

U-TUBE HEATERS VERSION

(PRIMARY BACK-UP AND/OR SOLAR)

STAINLESS STEEL AISI 316L RANGE - FROM 500 TO 6 000L



CE compliance
• 2014/68/UE
• 2014/35/UE



Tubular heaters



Inspection manhole(s)



Stainless steel AISI 316L tank



Standard and classic DHW version

DESCRIPTION

Tank

- Vertical stainless steel AISI 316L tank with 3 feet.
- Capacity from 500 to 3 000L.
- Maximum working pressure = 7 bar - Test pressure = 10 bar.
- Tappings (in accordance with the following diagram).
- Specific tapping for the solar regulation sensor.
- ø 400 mm inspection manhole^[1] on the top section for fixing the solar U-tube heater (ø 400 mm fixing flange at the bottom of the tank for primary back-up U-tube heater).

^[1]Note : In accordance with the recommendations of the French General Directorate for Health.

Removable thermal insulation (including the inspection manhole and the bottom of the tank)

Fire proof rating : M1 (Euroclass B)

- High-performance mineral wool - 100 mm thick ($\lambda = 0,032 \text{ W/m/K} - 32 \text{ kg/m}^3$).
- Flexible PVC jacket.

Fire proof rating : M0 (Euroclass A2)

- Rockwool - 100 mm thick ($\lambda = 0,034 \text{ W/m/K} - 40 \text{ kg/m}^3$).
- Isoxal metal sheet jacket.

Solar and primary U-tube heaters

- Removable U-tube heaters with bundle made of 316 L stainless steel, mounted on the inspection manholes.
- Inlet/outlet DN32F or DN50F + DN8F purge.

- $\Delta p \leq 0,25 \text{ mWC}$.
- Class B heater, in accordance with article 16.9 of the French General Directorate for Health.

Options

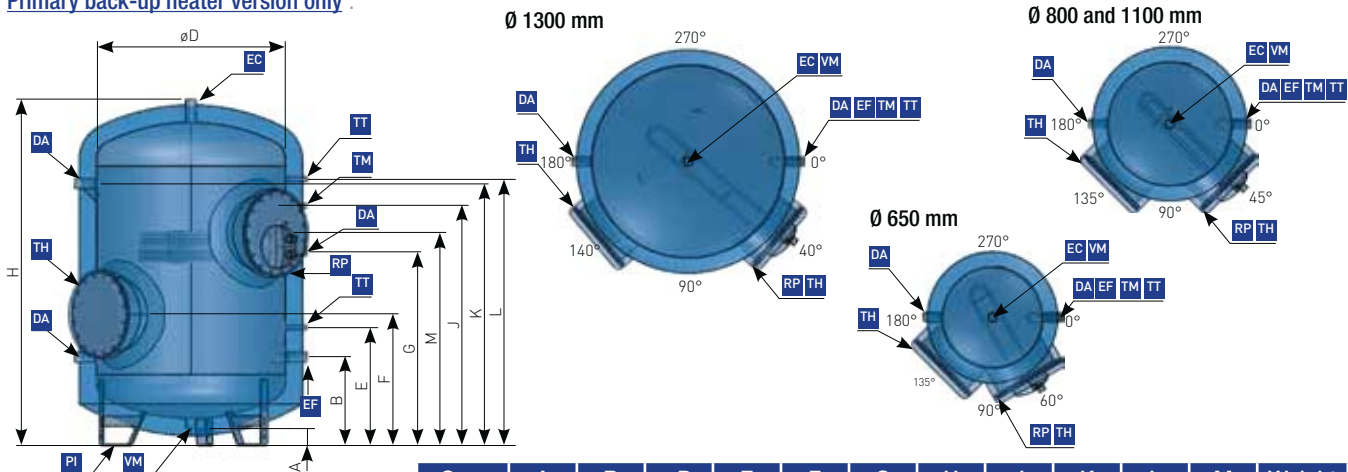
- Solar module with maximum WP of 6 bar (circulator, safety valve, manometer, thermometers, non-return valve, flow rate meter, degasser, valves, thermal insulation).
- Specific tapping for the solar regulation sensor.
- Electric backup (immersion heater on the top section + double safety thermostat).
- ø 400 mm inspection manhole at the bottom of the tank for primary back-up heater version only.
- Accessories kit (thermometer, DN25 safety valve, DN50 drainage valve, air vent valve).
- Upon request : non-standard capacity, dimensions, working pressure and tappings implantation.

Warranty (in accordance with our general conditions of sale)

- Tank = 7 years
- U-tube heaters = 5 years.
- Accessories = 1 year.

DIMENSIONS

Primary back-up heater version only :

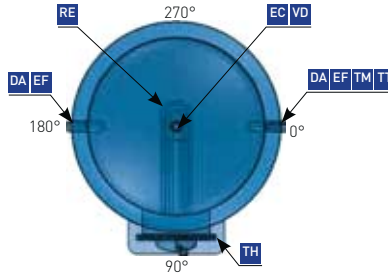
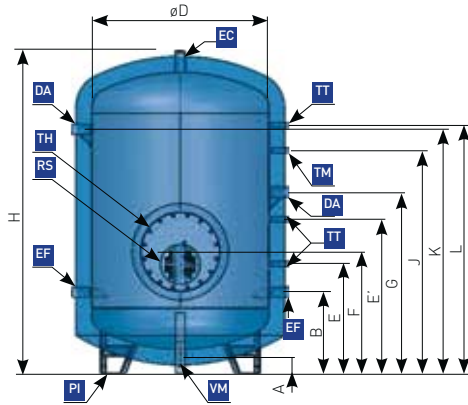


- DA Outlet/loop return (DN50 G ext. thread)
- EC Hot water outlet (DN50 G ext. thread)
- EF Cold water inlet / Solar exchanger outlet (DN50 G ext. thread)
- PI Support feet
- RP Primary heater (back-up)
- TH ø 400 mm inspection manhole (ø 250 mm handhole for 300 litres)
- TM Tapping for thermometer (DN15 G int. thread)
- TT Tapping for thermostat (or PT100 probe) (DN15 G int. thread)
- VM Drainage (DN50 G ext. thread)

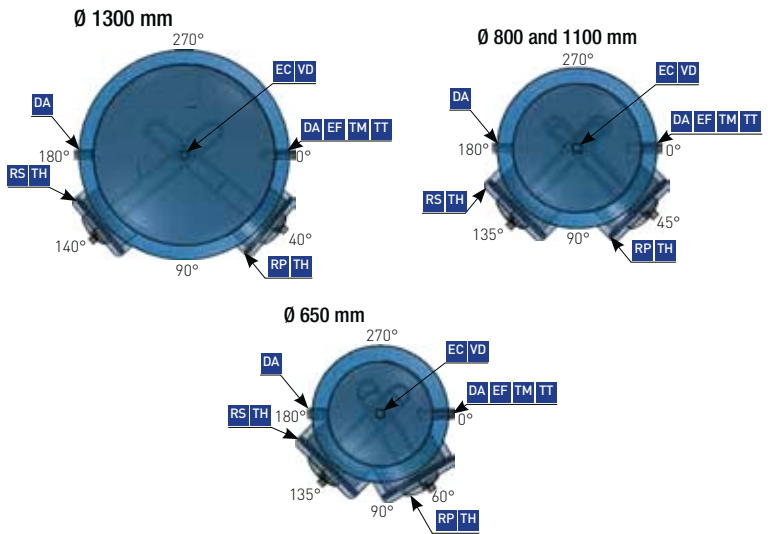
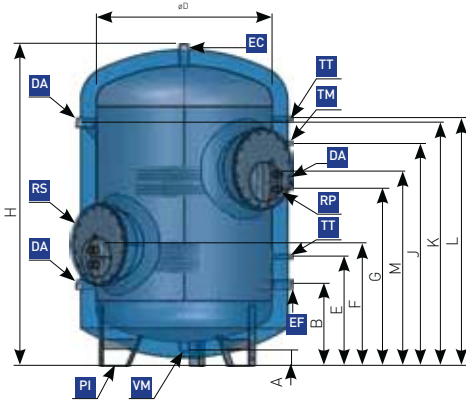
Cap. (Litres)	A (mm)	B (mm)	øD (mm)	E (mm)	F (mm)	G (mm)	H (mm)	J (mm)	K (mm)	L (mm)	M (mm)	Weight (kg)
500	90	410	650	860	870	1 420	1 760	1295	1420	1445	2030	140
750	90	440	800	890	900	1 450	1 820	1325	1450	1475	2030	175
1 000H ^[1]	90	440	800	890	900	1 940	2 330	1875	1940	1965	2900	210
1 000B ^[1]	90	475	950	925	935	1 485	1 900	1360	1485	1510	2030	235
1 500H ^[1]	90	475	950	925	935	2 035	2 450	1910	2035	2060	3020	280
1 500B ^[1]	90	510	1 100	960	970	1 520	1 960	1395	1520	1545	2030	290
2 000H ^[1]	90	510	1 100	960	970	2 070	2 510	1945	2070	2095	3020	345
2 000B ^[1]	90	560	1 300	1 010	1 020	1 570	2 050	1425	1570	1595	2030	400
2 500	90	560	1 300	1 010	1 020	1 820	2 300	1675	1820	1845	2360	430
3 000	90	560	1 300	1 010	1 020	2 120	2 600	1975	2120	2145	2960	470

^[1]Note : H = High version ; B = Low version.

Solar heater version only :



Solar and primary back-up heaters versions :



Cap. (Litres)	A (mm)	B (mm)	øD (mm)	E (mm)	F (mm)	G (mm)	H (mm)	J (mm)	K (mm)	L (mm)	M (mm)	Weight (kg)
500	90	410	650	860	870	1 420	1 760	1295	1420	1445	2030	140
750	90	440	800	890	900	1 450	1 820	1325	1450	1475	2030	175
1 000H ⁽¹⁾	90	440	800	890	900	1 940	2 330	1875	1940	1965	2900	210
1 000B ⁽¹⁾	90	475	950	925	935	1 485	1 900	1360	1485	1510	2030	235
1 500H ⁽¹⁾	90	475	950	925	935	2 035	2 450	1910	2035	2060	3020	280
1 500B ⁽¹⁾	90	510	1100	960	970	1 520	1 960	1395	1520	1545	2030	290
2 000H ⁽¹⁾	90	510	1100	960	970	2 070	2 510	1945	2070	2095	3020	345
2 000B ⁽¹⁾	90	560	1300	1 010	1 020	1 570	2 050	1425	1570	1595	2030	400
2 500	90	560	1300	1 010	1 020	1 820	2 300	1675	1820	1845	2360	430
3 000	90	560	1300	1 010	1 020	2 120	2 600	1975	2120	2145	2960	470

- DA Outlet/loop return (DN50 G ext. thread)
- EF Cold water inlet / Solar exchanger outlet (DN50 G ext. thread)
- EC Hot water outlet (DN50 G ext. thread)
- PI Support feet
- RS Solar heater
- RP Primary heater (back-up)
- TH ø 400 mm inspection manhole (ø 250 mm handhole for 300 litres)
- TM Tapping for thermometer (DN15 G int. thread)
- TT Tapping for thermostat (or PT100 probe) (DN15 G int. thread)
- VM Drainage (DN50 G ext. thread)

⁽¹⁾Note : H = High version ; B = Low version.

TECHNICAL SPECIFICATIONS OF U-tube heaters

Primary heater:

Primary system = 90/70°C - Secondary system = 10/60°C

Capacity (litres)	Back-up heater		Flow rate (m3/h)	Head loss (mWC)	Surface area (m2)
	Power (kW)	Tapping I/O			
500	12	DN32	0,5	0,1	0,54
750	25	DN32	1,1	0,15	0,98
1 000H ⁽¹⁾	25	DN32	1,1	0,15	0,98
1 000B ⁽¹⁾	25	DN32	1,1	0,15	0,98
1 500H ⁽¹⁾	34	DN32	1,5	0,2	1,8
1 500B ⁽¹⁾	34	DN32	1,5	0,2	1,33
2 000H ⁽¹⁾	58	DN32	2,5	0,35	2,5
2 000B ⁽¹⁾	58	DN32	2,5	0,45	2
2 500	58	DN32	2,5	0,45	2
3 000	58	DN32	2,5	0,45	2

⁽¹⁾Note : H = High version ; B = Low version.

Solar heater:

Primary system (glycol water 30%) 80/65°C - Secondary system 10/60°C

Capacity (litres)	Solar heater		Flow rate (m3/h)	Head loss (mWC)	Surface area (m2)
	Power (kW)	Tapping I/O			
500	16	DN32	1,1	0,1	1
750	30	DN32	2	0,15	1,8
1 000H ⁽¹⁾	30	DN32	2	0,15	1,8
1 000B ⁽¹⁾	30	DN32	2	0,15	1,8
1 500H ⁽¹⁾	40	DN65	2,7	0,3	3,3
1 500B ⁽¹⁾	40	DN32	2,7	0,15	2,45
2 000H ⁽¹⁾	60	DN32	4	0,7	3
2 000B ⁽¹⁾	60	DN65	4	0,15	5,1
2 500	80	DN65	5,2	0,3	5,1
3 000	80	DN65	5,2	0,3	5,1

AVAILABLE MODELS

Primary back-up heater version :

Capacity (Litres)	Reference with 100 mm-M1 jacket	Reference with 100 mm-M0 jacket
	Reference	Reference
500	INP050M11V	INP050M01V
750	INP075M11V	INP075M01V
1 000 ⁽¹⁾	INP100HM11V	INP100HM01V
1 000 ⁽¹⁾	INP100BM11V	INP100BM01V
1 500 ⁽¹⁾	INP150HM11V	INP150HM01V
1 500 ⁽¹⁾	INP150BM11V	INP150BM01V
2 000 ⁽¹⁾	INP200HM11V	INP200HM01V
2 000 ⁽¹⁾	INP200BM11V	INP200BM01V
2 500	INP250M11V	INP250M01V
3 000	INP300M11V	INP300M01V

Solar heater version:

Capacity (Litres)	Reference with 100 mm-M1 jacket	Reference with 100 mm-M0 jacket
	Reference	Reference
500	INS050M11V	INS050M01V
750	INS075M11V	INS075M01V
1 000 ⁽¹⁾	INS100HM11V	INS100HM01V
1 000 ⁽¹⁾	INS100BM11V	INS100BM01V
1 500 ⁽¹⁾	INS150HM11V	INS150HM01V
1 500 ⁽¹⁾	INS150BM11V	INS150BM01V
2 000 ⁽¹⁾	INS200HM11V	INS200HM01V
2 000 ⁽¹⁾	INS200BM11V	INS200BM01V
2 500	INS250M11V	INS250M01V
3 000	INS300M11V	INS300M01V

Solar and primary back-up heaters versions :

Capacity (Litres)	Reference with 100 mm-M1 jacket	Reference with 100 mm-M0 jacket
	Reference	Reference
500	INM050M11V	INM050M01V
750	INM075M11V	INM075M01V
1 000 ⁽¹⁾	INM100HM11V	INM100HM01V
1 000 ⁽¹⁾	INM100BM11V	INM100BM01V
1 500 ⁽¹⁾	INM150HM11V	INM150HM01V
1 500 ⁽¹⁾	INM150BM11V	INM150BM01V
2 000 ⁽¹⁾	INM200HM11V	INM200HM01V
2 000 ⁽¹⁾	INM200BM11V	INM200BM01V
2 500	INM250M11V	INM250M01V
3 000	INM300M11V	INM300M01V

⁽¹⁾Note : H = High version ; B = Low version.

OPTIONS

Reference	Description
KA1S	Accessories kit - DN25 safety valve calibrated at 7-bar - Brass dial thermometer 0/120 C deg - DN50 drainage valve - Air vent valve

Integrated loop heater (ILH kits for DHW cylinders)

- Additional immersion heater located in the top section of the tank (230/400 V tri-phase)
- Double unipolar safety thermostat.

Reference	Immersion heater power (kW)	Minimum diameter of tank (mm)
RBI3	3	550
RBI4	4,5	550
RBI6	6	550
RBI9	9	650
RBI12	12	800

Note : Integrated loop heater is not pre-assembled on tank.

