

ELECTRIC BOILERS "ENERGIS"

FROM 36 TO 1 400KW



CE compliance
• 2014/68/UE
• 2014/35/UE



Unit capable of holding a large volume of water



T° maxi of using = 110°C



Ventilated electrical control box



3-stage electrical control

DESCRIPTION

Main body

- Cylindric vertical from 36 to 288 kW - Horizontal from 315 to 1 400 kW.
- First-rate steel on a frame.
- Maximum working pressure = 7 bar - Test pressure = 10 bar.
- External anti-rust paint.
- Tappings (in accordance with the following diagram).

Thermal insulation : Rockwool + Sheet metal jacket in coated steel.

Power

- Reinforced electrical resistors - Incoloy pins.
- Unit power : 12 kW from 36 to 288 kW / 35 kW from 315 to 1400 kW.

Electrical component (three-phase 400 V)

Fully connected and integrated into the boiler's metalwork and comprising : general switch, fuse box for immersion heater, fuse protection for resistors, forced ventilation, workstations for remote control, operation indicator.

Electronic regulation :

3 stages from 36 to 288 kW - 6 stages from 315 to 1 400 kW.

Accessories

- Thermometer.
- Safety thermostats.

Options

- Accessories kit (1 safety valve on vertical boilers, 2 safety valves on horizontal boilers, flow-rate controller, drainage valve).
- Water shortage pressure regulator.
- Wired three-phase electrical component of 230 V or 400 V.
- Remote data reporting.
- Integration of the control and protection of motorised valves and circulators.

Warranties (in accordance with our general conditions of sale)

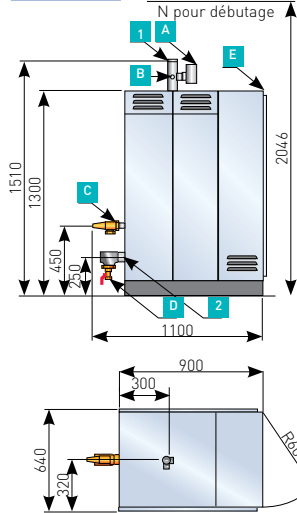
- Main body = 2 ans (against perforation).
- Electrical equipment and accessories = 1 year (if used in a pressurised closed circuit)

DIMENSIONS AND SPECIFICATIONS

Power (kW)	Number of electric immersion heaters	Volume (litres)	Minimum flow rate (m³/h)	Weight (kg)
36	3	115	0.8	170
48	4	115	1.0	172
60	5	115	1.3	175
72	6	115	1.6	177
96	8	115	2.0	182
120	10	115	2.6	187
144	12	115	3.1	192
156	13	115	3.4	195
168	14	115	3.6	197
180	15	115	3.9	200
216	18	115	4.6	210
252	21	155	5.4	240
288	24	155	6.2	250

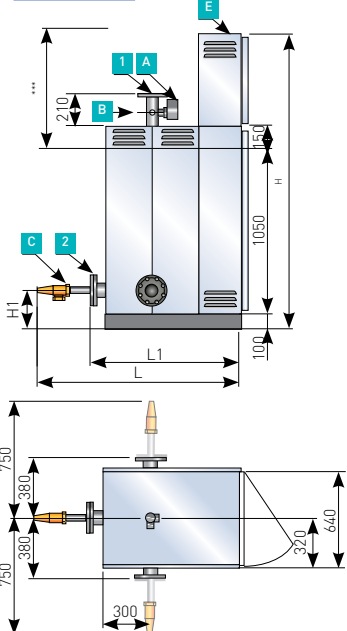
- A DN25 sleeve for fitting a flow rate controller (optional)
 - B DN25 sleeve for fitting a pressure switch (optional)
 - C DN125 safety valve (optional)
 - D DN20 N20 valve for drainage (optional)
 - E Integrated control box
 - 1 Threaded loop outlet (DN50)
 - 2 Threaded loop return (DN50)
- ***allow clearance of 900 mm

36 to 72 kW

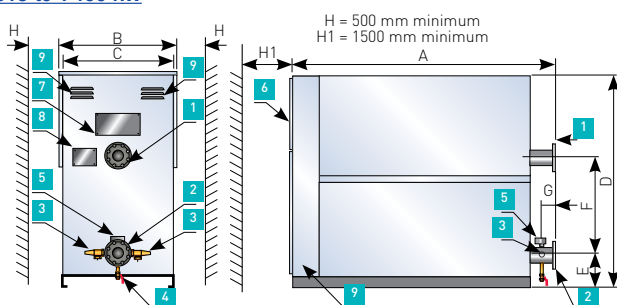


Power (kW)	L1 (mm)	H (mm)	H1 (mm)	1 DN	2 DN
96 à 144	1 050	1 700	250	65	65
156 à 288	1 050	1 900	250	80	80

96 to 288 kW



315 to 1400 kW



- 1 Départ de boucle PN16
- 2 PN16 loop return
- 3 DN32 valve
- 4 DN20 drainage
- 5 Flow rate controller
- 6 Integrated control box
- 7 Electric inlet
- 8 Entrée télécommande
- 9 Ventilation
- H1 Dégagement thermoplongeurs

Power (kW)	Number of electric immersion heaters	Volume (litres)	Minimum flow rate (m³/h)	Weight (kg)	A (mm)	B (mm)	C (mm)	D (mm)	E (mm)	F (mm)	G (mm)	I / II (DN)
315	9	550	7	684	2375	860	800	1710	300	680	122	100
350	10	550	7	716	2375	860	800	1710	300	680	122	100
385	11	550	8	748	2375	860	800	1710	300	680	122	100
420	12	550	9	780	2375	860	800	1710	300	680	122	100
455	13	550	10	812	2375	860	800	1710	300	680	122	100
490	14	550	10	844	2375	860	800	1710	300	680	122	100
525	15	550	11	876	2375	860	800	1710	300	680	122	100
560	16	550	12	908	2375	860	800	1710	300	680	122	100
595	17	850	13	940	2375	1060	1000	1930	305	870	124	125
630	18	850	14	972	2375	1060	1000	1930	305	870	124	125
665	19	850	14	1004	2375	1060	1000	1930	305	870	124	125
700	20	850	15	1036	2375	1060	1000	1930	305	870	124	125
735	21	850	16	1068	2375	1060	1000	1930	305	870	124	125
770	22	850	17	1100	2375	1060	1000	1930	305	870	124	125
805	23	850	17	1132	2375	1060	1000	1930	305	870	124	125
840	24	850	18	1164	2375	1060	1000	1930	305	870	124	125
875	25	850	19	1196	2375	1060	1000	1930	305	870	124	125
910	26	850	20	1228	2375	1060	1000	1930	305	870	124	125
945	27	850	20	1260	2375	1060	1000	1930	305	870	124	125
980	28	850	21	1292	2375	1060	1000	1930	305	870	124	125
1 015	29	1 300	22	1 324	2 425	1 260	1 200	2 010	270	1 055	124	150
1 050	30	1 300	23	1 356	2 425	1 260	1 200	2 010	270	1 055	124	150
1 085	31	1 300	23	1 388	2 425	1 260	1 200	2 010	270	1 055	124	150
1 120	32	1 300	24	1 420	2 425	1 260	1 200	2 010	270	1 055	124	150
1 155	33	1 300	25	1 452	2 425	1 260	1 200	2 010	270	1 055	124	150
1 190	34	1 300	26	1 484	2 425	1 260	1 200	2 010	270	1 055	124	150
1 225	35	1 300	26	1 516	2 425	1 260	1 200	2 010	270	1 055	124	150
1 260	36	1 300	27	1 548	2 425	1 260	1 200	2 010	270	1 055	124	150
1 295	37	1 300	28	1 580	2 425	1 260	1 200	2 010	270	1 055	124	150
1 330	38	1 300	29	1 612	2 425	1 260	1 200	2 010	270	1 055	124	150
1 365	39	1 300	30	1 644	2 425	1 260	1 200	2 010	270	1 055	124	150
1 400	40	1 300	30	1 676	2 425	1 260	1 200	2 010	270	1 055	124	150

Other powers available upon request.

Cooling constant :

Power (kW)	Cooling constant
< = 216	Cr~1,51 W-h/(day.K.L)*
252 to 288	Cr~1,42 W-h/(day.K.L)*
315 to 560	Cr~0,212 W-h/(day.K.L)*
595 to 980	Cr~0,170 W-h/(day.K.L)*
1 015 to 1 400	Cr~0,143 W-h/(day.K.L)*

AVAILABLE MODELS AND PRICES

Cabinet power (kW)	Reference	Cabinet power (kW)	Reference	Cabinet power (kW)	Reference
36	CEEC0036V	385	CEEC0385H	910	CEEC0910H
48	CEEC0048V	420	CEEC0420H	945	CEEC0945H
60	CEEC0060V	455	CEEC0455H	980	CEEC0980H
72	CEEC0072V	490	CEEC0490H	1 015	CEEC1015H
96	CEEC0096V	525	CEEC0525H	1 050	CEEC1050H
120	CEEC0120V	560	CEEC0560H	1 085	CEEC1085H
144	CEEC0144V	595	CEEC0595H	1 120	CEEC1120H
156	CEEC0156V	630	CEEC0630H	1 155	CEEC1155H
168	CEEC0168V	665	CEEC0665H	1 190	CEEC1190H
180	CEEC0180V	700	CEEC0700H	1 225	CEEC1225H
216	CEEC0216V	735	CEEC0735H	1 260	CEEC1260H
252	CEEC0252V	770	CEEC0770H	1 295	CEEC1295H
288	CEEC0288V	805	CEEC0805H	1 330	CEEC1330H
315	CEEC0315H	840	CEEC0840H	1 365	CEEC1365H
350	CEEC0350H	875	CEEC0875H	1 400	CEEC1400H

OPTIONS

Reference	Description
KA3	Accessories kit for vertical boiler - Flow rate controller - DN25 safety valve calibrated at 7-bar - DN20 valve for drainage
KA4	Accessories kit for horizontal boiler - Flow rate controller - Two DN25 safety valves calibrated at 7-bar - DN20 valve for drainage
CPS	Single pump control
CPD	Double pump control