

# CHILLED WATER STORAGE TANKS "GLACEO"

CARBON STEEL RANGE - FROM 200 TO 3 000L



**CE compliance**  
• 2014/68/UE  
• 2014/35/UE



**T° mini up to -8°C (chilled water)**



**Non-reverse bottom**



**Maximum working pressure = 7 bar**



**Inspection manhole**

## DESCRIPTION

### Tank

- Tank in carbon steel, vertical in 3 feet.
- Capacity from 200 to 3 000L.
- Maximum working pressure = 7 bar - Test pressure = 10 bar.
- Tappings (in accordance with the following diagram).
- ø 400 mm inspection manhole with thermal insulation (from 500L, according to models).

### External protection

- Anti-rust paint..

### Removable thermal insulation

**(T-min = -8°C, installation possible in a boiler room or outdoors),**

### Fire proof rating : M1 (Euroclass C)

- Non-CFC emitting polyurethane foam, 40 mm thick, projected, rigid, high density (35 kg/m3), B2 - DIN 4102 fire rated.
- Isoxal metal sheet jacket.

### Options electrical backup

- Resistor fixing ring soldered on tank.
- Electrical elements with Incoloy pins.
- Double safety thermostat (-30/+35°C).

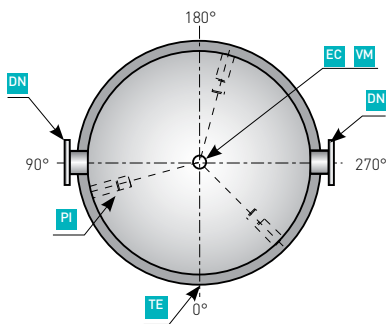
### Other options

- Accessories kit (thermometer -30/+50°C, DN25 safety valve, degasser, DN50 valve for drainage).
- Upon request : non-standard capacity, dimensions, working pressure and tappings implantation.
- Upon request : tank made of stainless steel AISI 304L.
- Horizontal tank.

### Warranties (in accordance with our general conditions of sale)

- Tank = 5 years. (against perforation, used in a pressurised closed circuit only).
- Electrical equipment and accessories = 1 year.

## DIMENSIONS



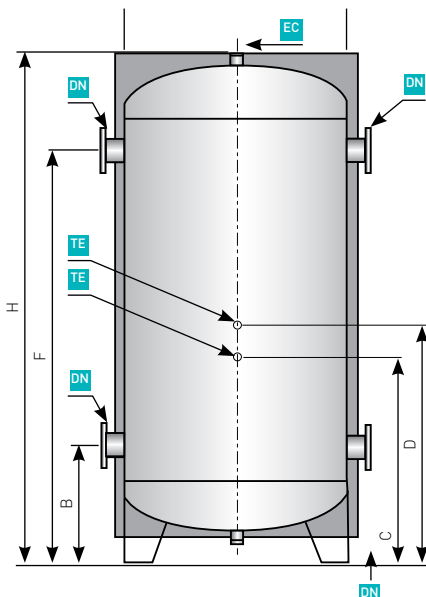
**DN** Loop outlet and return :  
- 50/60, 66/76 et 80/89 = threaded tappings  
- 100 et 150 = Tappings for plate flanges  
PN16

**EC-VM** Degasser - Drainage = 50/60 (Threaded tappings)

**PI** Support feet

**TE** Tappings for thermometer and thermostat = 15/21 (Threaded sleeves)

Capacity (Litres)	EC - VM	DN (Ø)	TE
200	50/60	50/60	15/21
300	50/60	50/60	15/21
500	50/60	66/76	15/21
750	50/60	80/90	15/21
1000H <sup>(1)</sup>	50/60	80/90	15/21
1000B <sup>(1)</sup>	50/60	80/90	15/21
1500H <sup>(1)</sup>	50/60	80/90	15/21
1500B <sup>(1)</sup>	50/60	80/90	15/21
2000H <sup>(1)</sup>	50/60	DN100	15/21
2000B <sup>(1)</sup>	50/60	DN100	15/21
2500	50/60	DN150	15/21
3000	50/60	DN150	15/21



Capacity (Litres)	Ø (mm)	A (mm)	B (mm)	C (mm)	D (mm)	F (mm)	H (mm)	Weight (kg)	
								With manhole	Without manhole
200	450	90	355	680	900	1300	1650	-	80
300	550	90	395	595	815	1160	1530	100	90
500	650	90	430	910	1130	1420	1800	130	120
750	800	90	460	940	1160	1450	1880	160	150
1000H <sup>(1)</sup>	800	90	460	940	1160	2000	2420	200	180
1000B <sup>(1)</sup>	950	90	495	975	1195	1485	1950	220	200
1500H <sup>(1)</sup>	950	90	495	975	1195	2030	2500	260	240
1500B <sup>(1)</sup>	1100	90	530	1010	1230	1520	2000	310	290
2000H <sup>(1)</sup>	1100	90	570	1010	1230	2010	2540	380	360
2000B <sup>(1)</sup>	1300	90	620	1060	1280	1530	2100	420	400
2500	1300	90	655	1220	1440	1745	2350	460	440
3000	1300	90	655	1220	1440	2025	2650	520	500

<sup>(1)</sup>Note : H = High version ; B = Low version.

## AVAILABLE MODELS AND PRICES

Capacity	Reference with a 40 mm-M1 foam WITHOUT MANHOLE	Reference with a 40 mm-M1 foam WITH MANHOLE
200	EG020M1E	-
300	EG030M1E	-
500	EG050M1E	EG050M1EV
750	EG075M1E	EG075M1EV
1 000H <sup>(1)</sup>	EG100M1HE	EG100M1HEV
1 000B <sup>(1)</sup>	EG100M1BE	EG100M1BEV
1 500H <sup>(1)</sup>	EG150M1HE	EG150M1HEV
1 500B <sup>(1)</sup>	EG150M1BE	EG150M1BEV
2 000H <sup>(1)</sup>	EG200M1HE	EG200M1HEV
2 000B <sup>(1)</sup>	EG200M1BE	EG200M1BEV
2 500	EG250M1E	EG250M1EV
3 000	EG300M1E	EG300M1EV

<sup>(1)</sup>Note : H = High version ; B = Low version.

Electrical backup option (kW)	Minimum Ø of tank (mm)	Reference
3	550	AEG3
4,5	550	AEG4
6	550	AEG6
9	650	AEG9
12	800	AEG12
15	650	AEG15
20	950	AEG20
24	1 100	AEG24
30	1 300	AEG30
35	1 300	AEG35

## OPTIONS

Reference	Description
<b>KA10 (outdoor)</b>	Accessories kit - Stainless steel thermometer with dial -30/+50°C - DN25 safety valve calibrated at 7-bar - DN50 valve for drainage