

# DHW STORAGE TANKS

STAINLESS STEEL AISI 316L RANGE - FROM 500 TO 3 000L



CE compliance  
• 2014/68/UE



Reinforced thermal insulation



Standard and classic DHW version



Stainless steel AISI 316L tank

## DESCRIPTION

### Tank

- Vertical stainless steel AISI 316L tank with 3 feet.
- Capacity from 500 to 3 000L.
- Maximum working pressure = 7 bar - Test pressure = 10 bar.
- Tappings (in accordance with the following diagram).
- ø 400 mm inspection manhole<sup>(1)</sup>.
- Internal and external weldings, stripped and passived.
- Maximum temp. = 95°C.

<sup>(1)</sup>Note : Compliant with the recommendations of the French General Directorate for Health.

### Removable thermal insulation (including the inspection manhole and the bottom of the tank)

#### Fire proof rating : M1 (Euroclass B)

- High-performance mineral wool - 60 or 100 mm thick ( $\lambda = 0,032 \text{ W/m/K} - 32 \text{ kg/m}^3$ ).
- Flexible PVC jacket.

#### Fire proof rating : M0 (Euroclass A2)

- Rockwool - 50 or 100 mm thick ( $\lambda = 0,034 \text{ W/m/K} - 40 \text{ kg/m}^3$ ).
- Isoxal metal sheet jacket.

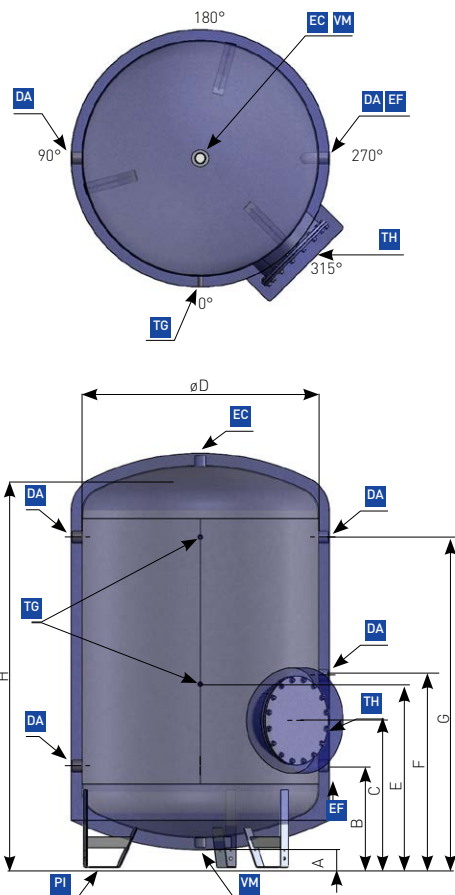
#### Options

- Accessories kit (thermometer, DN25 safety valve, DN50 drainage valve, air vent valve).
- Different thicknesses of insulation available.
- Upon request : non-standard capacity, dimensions, working pressure and tappings implantation.

#### Warranties (in accordance with our general conditions of sale)

- Tank = 7 years.
- Accessories = 1 year.

## DIMENSIONS



Cap. (Litres)	A (mm)	B (mm)	C (mm)	øD (mm)	E (mm)	F (mm)	G (mm)	H (mm)	Weight (kg)
500	90	410	660	650	660	870	1 420	1 760	140
750	90	440	690	800	690	900	1 450	1 820	175
1 000H <sup>(1)</sup>	90	440	690	800	690	900	1 940	2 330	210
1 000B <sup>(1)</sup>	90	475	725	800	725	935	1 485	1 900	235
1 500H <sup>(1)</sup>	90	475	725	800	725	935	2 035	2 450	280
1 500B <sup>(1)</sup>	90	510	760	1 100	760	970	1 520	1 960	290
2 000H <sup>(1)</sup>	90	510	760	1 100	760	970	2 070	2 510	345
2 000B <sup>(1)</sup>	90	560	810	1 300	810	1 020	1 570	2 050	400
2 500	90	560	810	1 300	810	1 020	1 820	2 300	430
3 000	90	560	810	1 300	810	1 020	2 120	2 600	470

<sup>(1)</sup>Note : H = High version ; B = Low version.

- DA Outlet/loop return (50/60 G ext. thread)
- EC Hot water outlet (50/60 G ext. thread)
- EF Cold water inlet with deflector (50/60 G ext. thread)
- PI Support feet
- VM Threaded drainage outlet (50/60)
- TH ø 400 mm manhole
- TG Tapping (15/21 G int. thread) for thermometer and thermostat

## AVAILABLE MODELS AND PRICES

Capacity (Litres)	Reference with 60 mm-M1 jacket	Reference with 50 mm-M0 jacket
	Reference	Reference
<b>500</b>	INT050M1V	INT050M0V
<b>750</b>	INT075M1V	INT075M0V
<b>1 000H<sup>(1)</sup></b>	INT100BM1V	INT100BM0V
<b>1 000B<sup>(1)</sup></b>	INT100HM1V	INT100HM0V
<b>1 500H<sup>(1)</sup></b>	INT150BM1V	INT150BM0V
<b>1 500B<sup>(1)</sup></b>	INT150HM1V	INT150HM0V
<b>2 000H<sup>(1)</sup></b>	INT200BM1V	INT200BM0V
<b>2 000B<sup>(1)</sup></b>	INT200HM1V	INT200HM0V
<b>2 500</b>	INT250M1V	INT250M0V
<b>3 000</b>	INT300M1V	INT300M0V

Capacity (Litres)	Reference with 100 mm- M1 jacket	Reference with 100 mm- M0 jacket
	Reference	Reference
<b>500</b>	INT050M11V	INT050M01V
<b>750</b>	INT075M11V	INT075M01V
<b>1 000H<sup>(1)</sup></b>	INT100BM11V	INT100BM01V
<b>1 000B<sup>(1)</sup></b>	INT100HM11V	INT100HM01V
<b>1 500H<sup>(1)</sup></b>	INT150BM11V	INT150BM01V
<b>1 500B<sup>(1)</sup></b>	INT150HM11V	INT150HM01V
<b>2 000H<sup>(1)</sup></b>	INT200BM11V	INT200BM01V
<b>2 000B<sup>(1)</sup></b>	INT200HM11V	INT200HM01V
<b>2 500</b>	INT250M11V	INT250M01V
<b>3 000</b>	INT300M11V	INT300M01V

<sup>(1)</sup>Note : H = High version ; B = Low version

## OPTIONS

Reference	Description
<b>KA1S</b>	Accessories kit - DN25 safety valve calibrated at 7-bar - Brass dial thermometer 0/120 C deg - DN50 drainage valve - Air vent valve