

# GAS-FIRED HOT WATER HEATER "T.C.E." range

FROM 220 TO 400L



CE compliance  
• 51C04350/ED14



GAS EQUIPMENT  
et chambre  
étanche



High efficiency



Inspection and  
cleaning tapping

## DESCRIPTION

### Tank

- Cylindrical in first class stainless steel.
- Upright on a base made of galvanised steel.
- Capacity from 220 to 400L.
- Maximum working pressure = 6 bar - Test pressure = 9 bar.
- Inspection and cleaning tapping.
- External anti-rust paint.
- Threaded tappings in accordance with the attached diagram.

### Internal coating

- Glass-lined steel, baked at 850°C.
- Magnesium protection anode.

### Thermal insulation attached for a material located in a building :

- Injected polyurethane foam - 60 mm thick ( $\lambda = 0,024 \text{ W/m/K} - 35 \text{ kg/m}^3 \text{ environ}$ ).
- Sheet metal jacket in coated steel.

### GAS EQUIPMENT (efficiency > 94% on NCV)

- All gas atmospheric burner.
- Electric control and safety box.
- Gas valve (CE according to combustion).
- Differential pressure switch (controls gas fumes release).
- Regulation thermostat (+40 / +80°C).
- Safety thermostat (limiter at 90°C).
- Moveable evacuation/intake turret with ventilator.

### Control panel (single phase 230 V / 67W)

- On/off switch.
- Button for controlling the temperature set point.
- Push button for resetting the safety thermostat.
- Thermometer.
- Operation indicator.
- Push button with LED (re-setting the burner + fault).

### Accessories

- DN15 safety valve.

### Add-ons

(choose one of the suggested solutions, see next page):

- **Coaxial wall outlet:** coaxial tube  $\varnothing 100 \text{ mm}$ , L = 1 m (L max. = 3 m, at least 1 m per 90° elbow).
- **Coaxial ceiling outlet:** 90° elbow + coaxial tube  $\varnothing 100 \text{ mm}$ , H = 1 m (H max. = 2 m with the elbow, at least 1 m per 90° elbow).
- **Air/gas fumes separation:** separation box + 2 single tubes  $\varnothing 80 \text{ mm}$ , L = 1 m (L max. = 6 m, at least 1 m per 90° elbow).

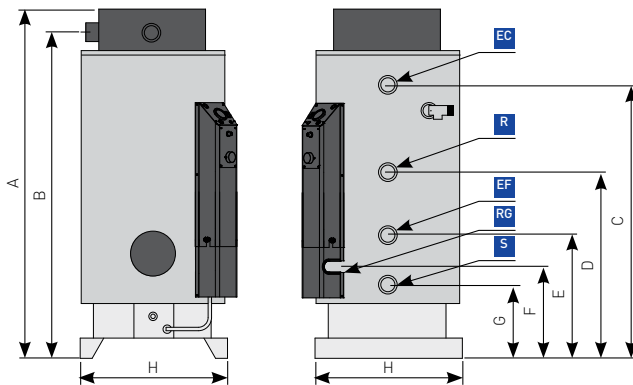
### Option

- Additional boiler fitting elements.

### Warranties (in accordance with our general conditions of sale)

- Tank = 1 year.
- Components = 1 year.

## DIMENSIONS



- EC Hot water outlet (1"1/4)
- EF Cold water inlet (1"1/4)
- R Loop return (1")
- RG Gas connection (1/2")
- S Drainage (1")

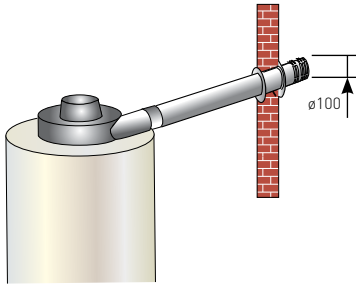
Model	Cap. (litres)	Calorific flow rate (kW)	Useful power (kW)	Heating time (min)			Continuous flow rate *				Nominal flow rate of natural gas (G20/25 - 20/25 mbar) (m³/h)	Nominal flow rate of GPL (G30/31 28-30/37 mbar) (Kg/h)	Absorbed electrical power (W)	
				$\Delta T = 25^\circ\text{C}$	$\Delta T = 45^\circ\text{C}$	$\Delta T = 50^\circ\text{C}$	$\Delta T = 25^\circ\text{C}$		$\Delta T = 45^\circ\text{C}$					
							(L/h)	(L/min)	(L/10 min)	(L/h)				(L/min)
TCE 220	220	25.0	23.5	16	29	33	817	13.6	136	454	7.6	2.65	2.0	67
TCE 300	300	29.0	27.3	19	35	39	938	15.6	156	521	8.7	3.07	2.3	67
TCE 400	390	29.0	27.3	26	46	51	908	15.1	151	504	8.4	3.07	2.3	67

\*Note: Performance data given for a cold water temperature of 15°C, usage temperature of 45°C and storage temperature of 80°C.

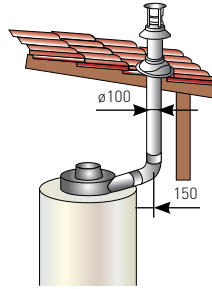
Model	Cap. (litres)	Total height (A - mm)	Gas fumes evacuation (B - mm)	Hot water outlet (C - mm)	Recycling (D - mm)	Cold water inlet (E - mm)	Gas connection (F - mm)	Drainage (G - mm)	Width of the base (H - mm)	Empty weight (kg)	Total weight (kg)
TCE 220	220	1560	1445	1285	960	570	475	405	720	220	440
TCE 300	300	1912	1795	1640	960	570	475	405	720	265	565
TCE 400	395	2275	2145	1985	1135	570	475	403	720	309	699

## GAS FUMES EVACUATION OPTIONS

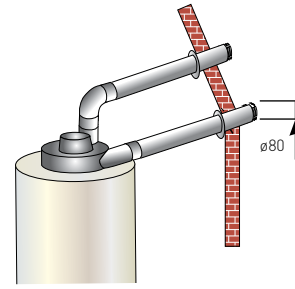
Coaxial wall outlet



Coaxial roof outlet



Gas fumes/air separation



## AVAILABLE MODELS AND PRICES - OPTIONS

Reference	Description	Capacity (litres)	Useful power (kW)
TCE 220		220	23,5
TCE 300	Hydrogaz® TCE	300	27,3
TCE 400		400	27,3
SM		Coaxial wall outlet	
STC	Added value roof or separation outlet	Coaxial roof outlet	
SFA		Gas fumes/air separation	
RV		1 m coaxial extension	
CV45	Coaxial output OPTIONS	45° coaxial elbow	
CV90		90° coaxial elbow	
RS		1 m single extension	
CS45	Gas fumes/air separation OPTIONS	45° single elbow	
CS90		90° single elbow	