

# ELECTRICAL LOOP HEATERS "TIMEOX"

HORIZONTAL AND VERTICAL VERSIONS - FROM 3 TO 35KW



**CE compliance**  
• 2014/68/UE  
• 2014/35/UE



**Simple and limited maintenance**



**316L** Steel main body made of stainless steel AISI 316L

## DESCRIPTION

### Main body

- Cylindrical (vertical or horizontal) with fixing brackets.
- 316 L stainless steel.
- Maxi WP = 7 bar - Test pressure = 10 bar.
- Tappings (in accordance with the following diagram).

### Thermal insulation (Fire proof rating : MO (Euroclass A2)) :

- Rockwool - 30 mm thick.
- Isoxal metal sheet jacket.

### Power

- Reinforced electrical resistor - 825 Incoloy pins.
- Power :
  - 3 to 12 kW : 230/400 V three-phase;
  - > 12 kW : 400/700 V three-phase.
- Attachment :
  - 3 to 12 kW : DN40;
  - > 12 kW : M77.

**Regulation** : Double safety thermostat 0/90°C.

### Options

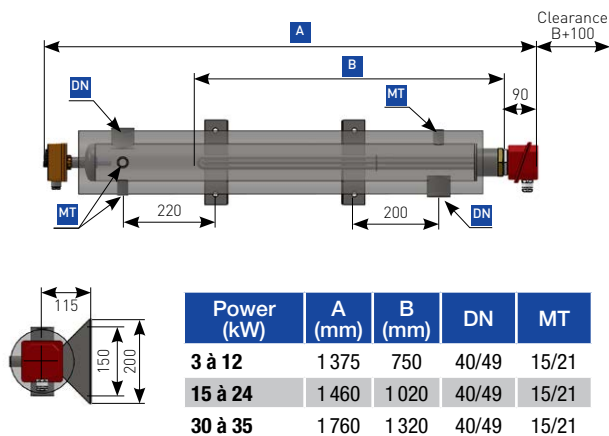
- Electric cabinet.
- Integration of the control and protection of a circulator.
- Accessories (thermometer, flow rate controller, water shortage sensor, etc.).

### Warranties (in accordance with our GCS)

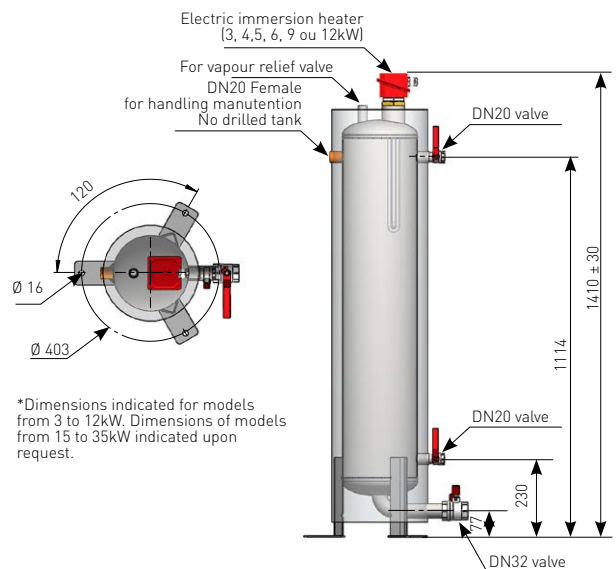
- Main body = 2 years (against perforation).
- Electrical equipment and accessories = 1 year.

## DIMENSIONS

### Horizontale version :



### Verticale version\* :



## AVAILABLE MODELS AND PRICES

### Horizontale version :

Power (kW)	Reference
3	RBX3
4,5	RBX4
6	RBX6
9	RBX9
12	RBX12
15	RBX15
20	RBX20
24	RBX24
30	RBX30
35	RBX35

### Verticale version

Power (kW)	Reference
3	
4,5	
6	
9	
12	
15	Upon request
20	
24	
30	
35	

### Three-phase 400 V control and protection box + Earth + Neutral

Power (kW)	Reference
3	AR3
4,5	AR4
6	AR6
9	AR9
12	AR12
15	AR15
20	AR20
24	AR24
30	AR30
35	AR35
400/230 V-100 VA transformer	TRAR

## OPTIONS

Reference	Description
KA11	Accessories kit (Brass dial thermometer 0/120 C deg, short rod - Brass degasser)
CD	Flow rate controller
PM	Water shortage pressure detector